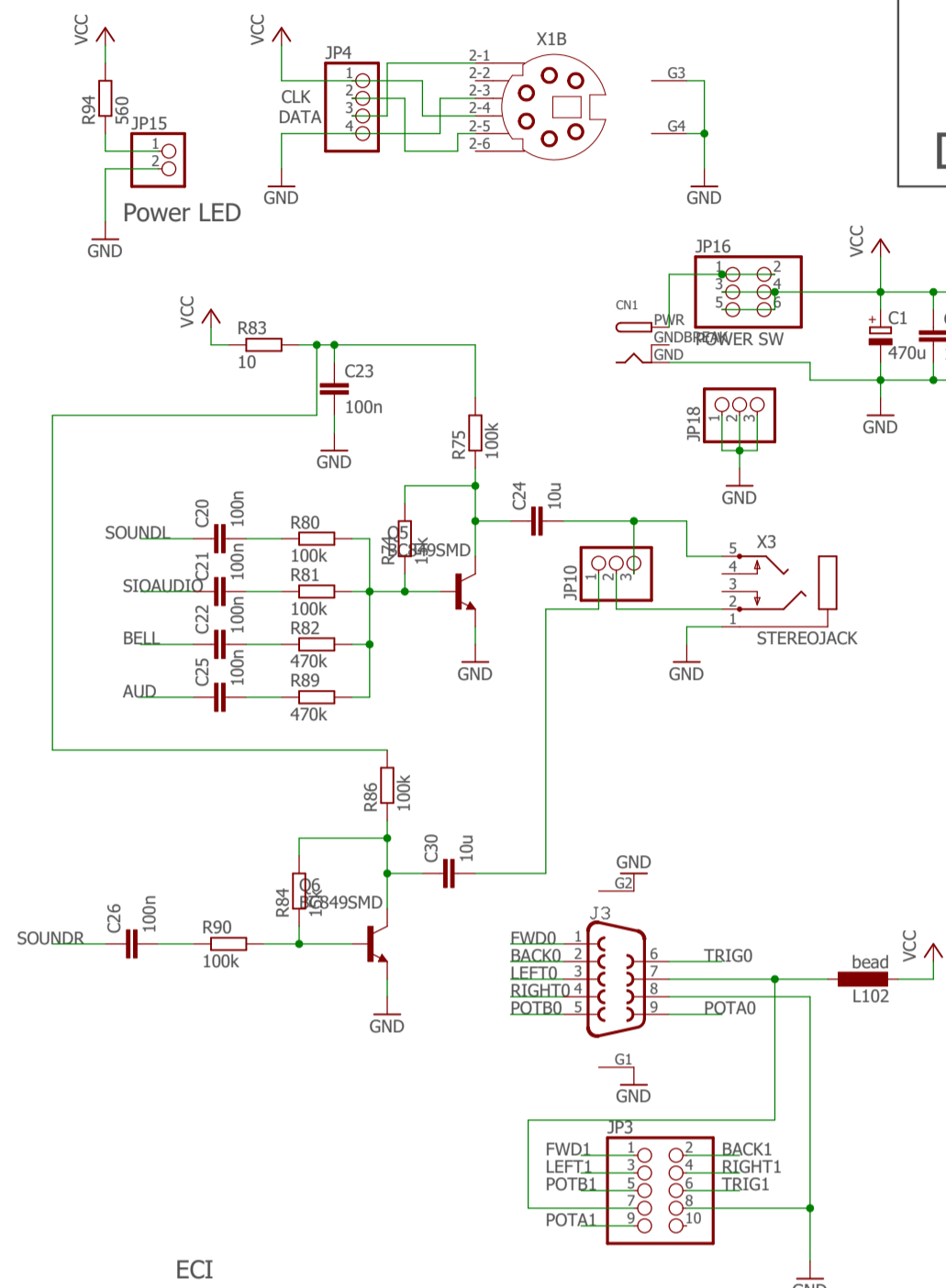
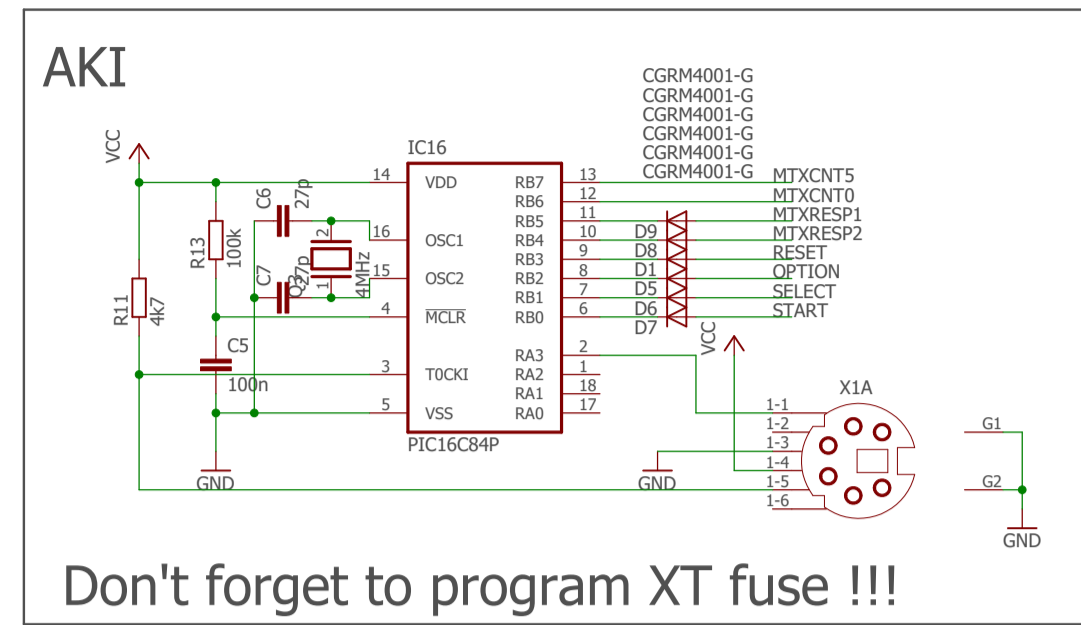
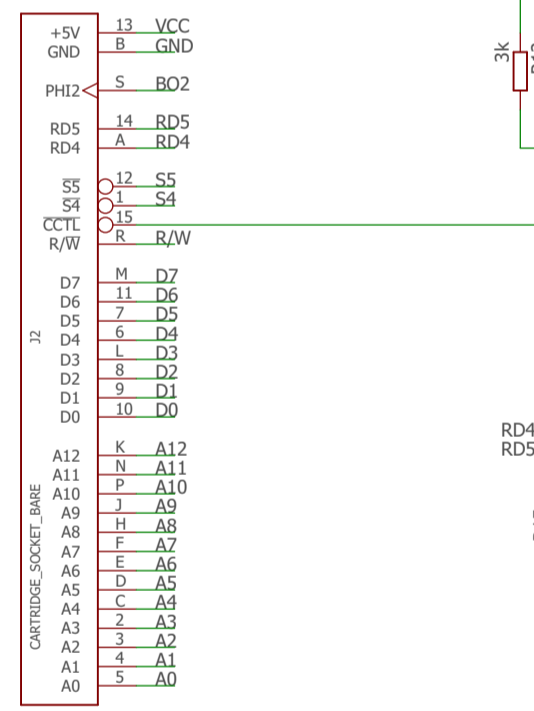


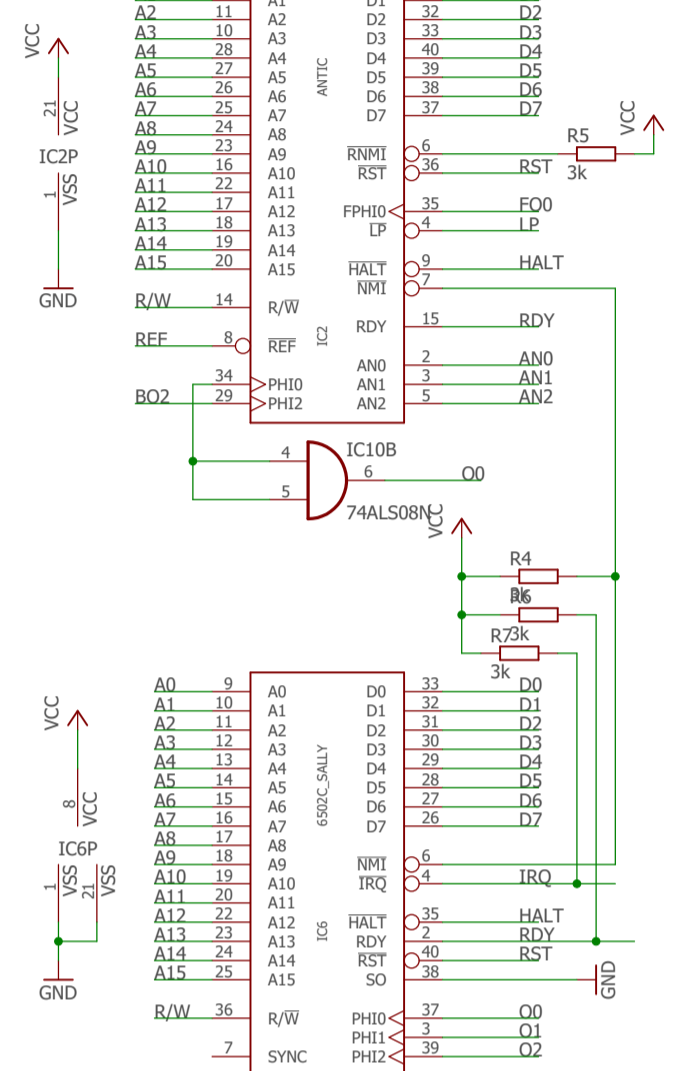
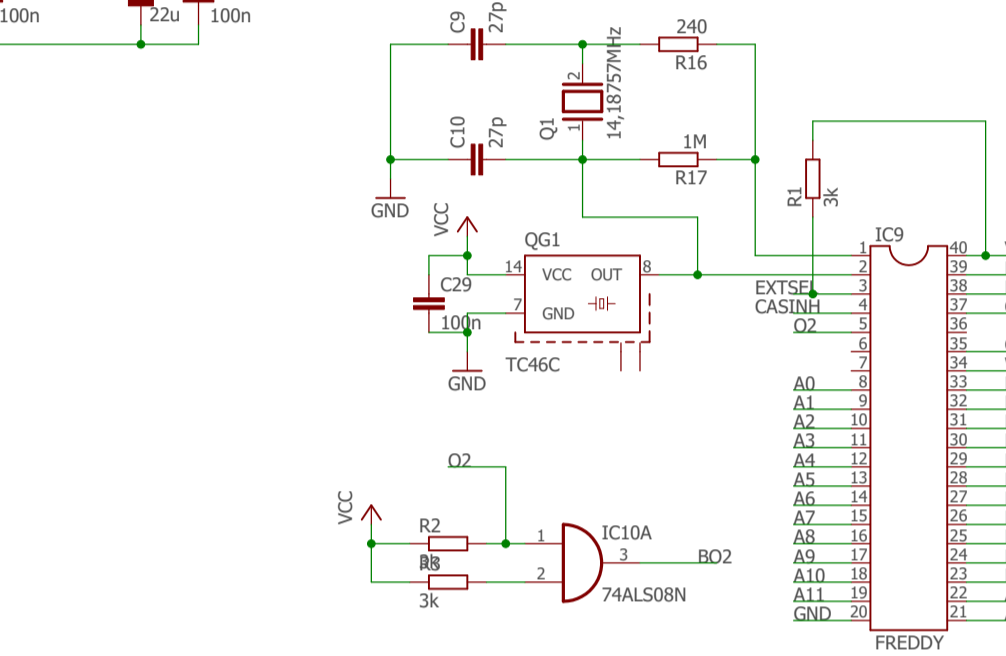
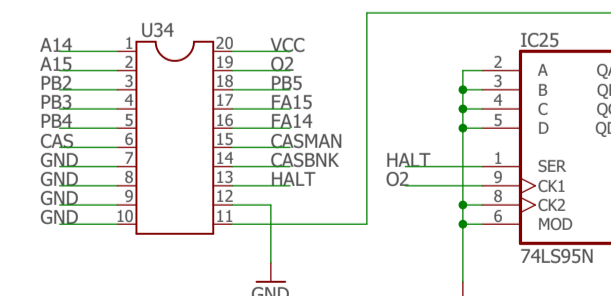
Atari ITX ver. 1.1
ataripcb@gmail.com



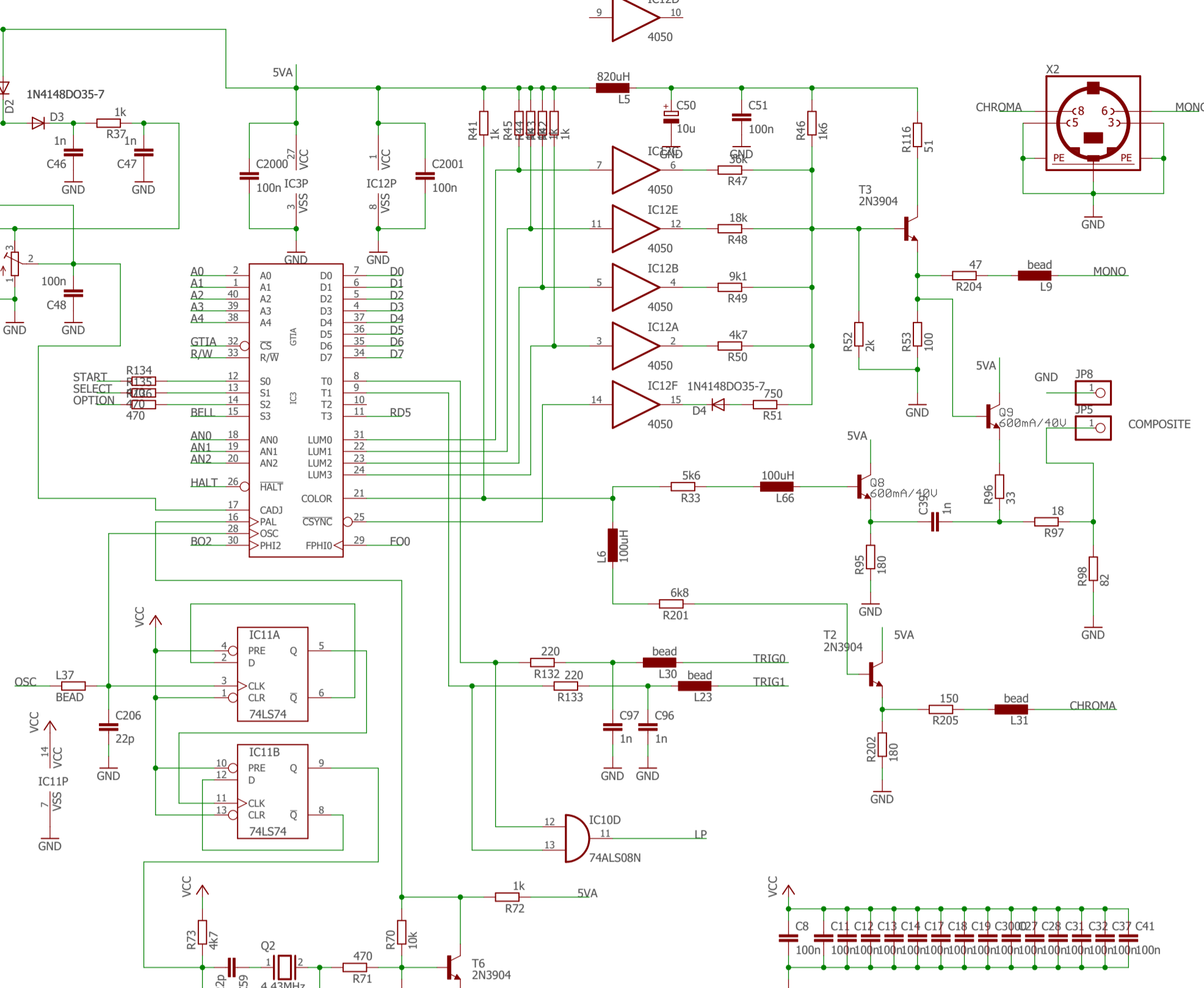
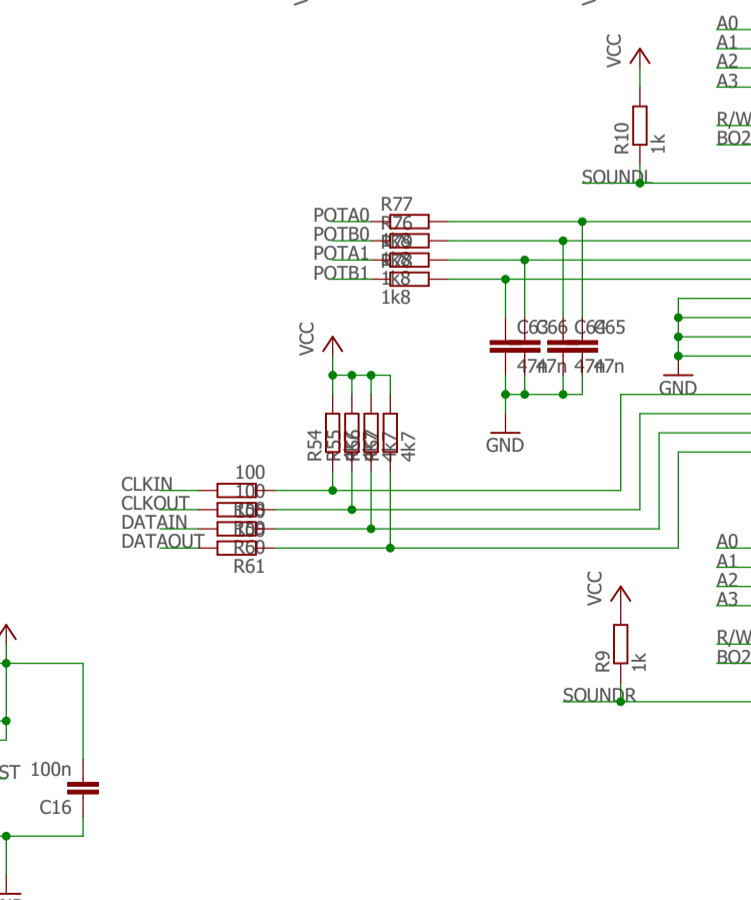
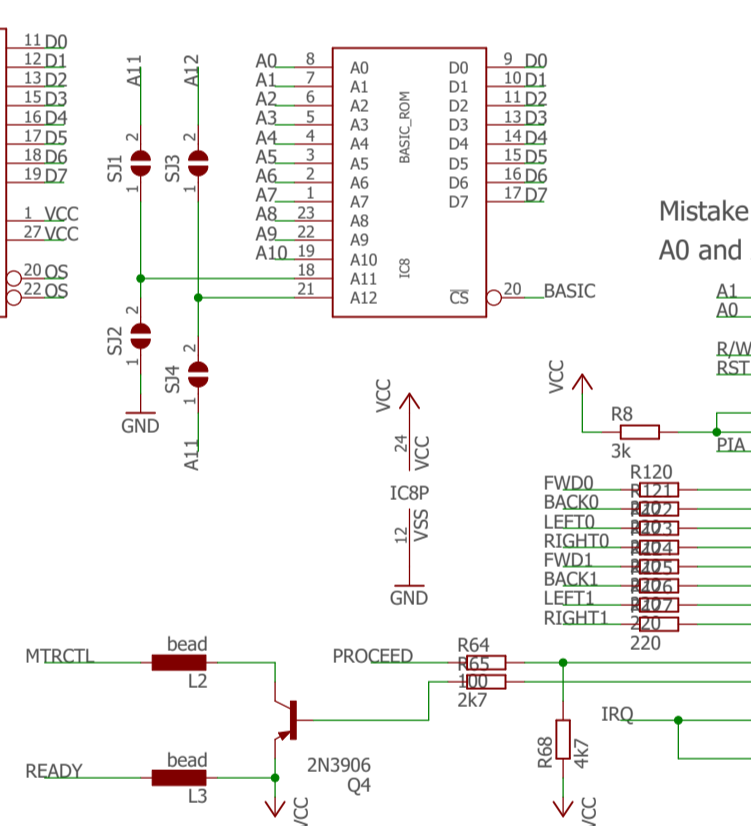
ECI



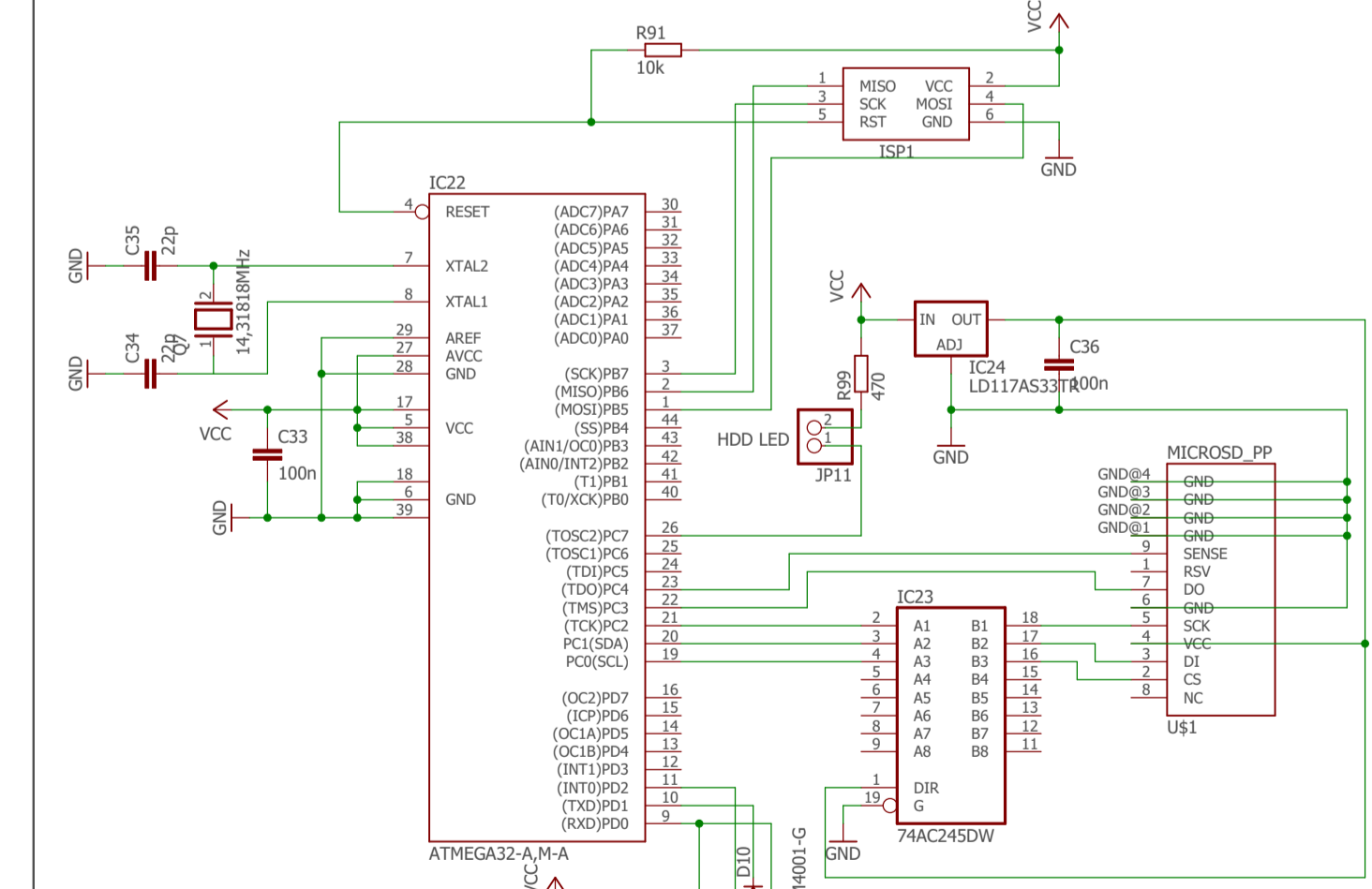
For 64k RAM don't solder U34
Connect pins: 1-16 2-17 6-15



Mistake in library
A0 and A1 swapped



SIO2SD



Fuses: H:0xC3 L:0x3F